

Fuji USER MANUAL



www.fujitools.com

DIE GRINDERS

MODELS :FG-26H-10, -10F, -20, -20N

FG-26H-10



FG-26H-10 6



FG-26H-10 6 FE



FG-26H-10 1/4



FG-26H-10 1/4 N

FG-26H-20, -20N



FG-26H-20 6



FG-26H-20 6 FE



FG-26H-20 1/4



FG-26H-20 1/4 N

FG-26H-10F



FG-26H-10F 6



FG-26H-10F 6 FE



FG-26H-10F 1/4



FG-26H-10F 6 EC



FG-26H-10F 6 FE EC



FG-26H-10F 1/4 N



FG-26H-20N 6



FG-26H-20N 6 FE



FG-26H-20N 1/4

SPECIFICATIONS

[Scan code to download this document and see this tool on our online catalogue.]

MODLE	Handle Type	Grinding Wheel mm	Collet Size		Rotational Frequency min ⁻¹	Max.Air Consumption m ³ /min	Mass kg	Overall Length mm	Air Inlet Thread Size	Air Hose Size
			mm	in						mm
FG-26H-10	Lever	25 × 13 × —	6	1/4	24,000	0.58	0.52	179	Rc or NPT 1/4	9.5
FG-26H-10F	Lock-off Lever	25 × 13 × —	6	1/4	24,000	0.58	0.53	179	Rc or NPT 1/4	9.5
FG-26H-20	Roll	25 × 13 × —	6	1/4	24,000	0.59	0.61	170	Rc or NPT 1/4	9.5
FG-26H-20N	Lock-off Roll	25 × 13 × —	6	1/4	24,000	0.59	0.66	180	Rc 1/4	9.5

※Please Specify Front or Side Exhaust Cover type when ordering.

The performance figures are at 0.63 MPa(6.3bar).



Refer to "The Instructions and Warning for Safety Use" enclosed in each tool box.

Fuji Industrial Technique Co.,Ltd.

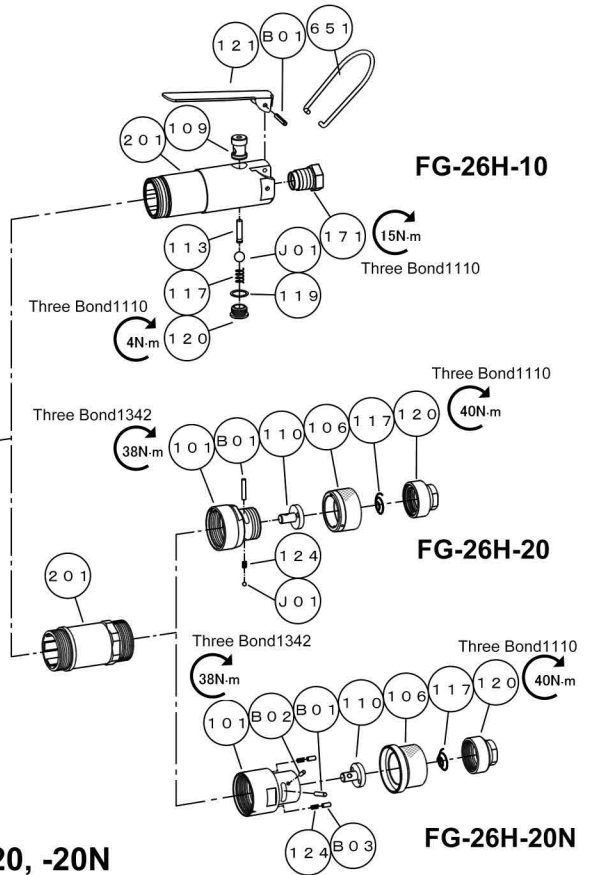
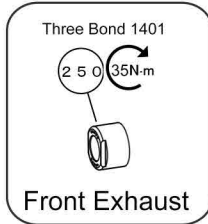
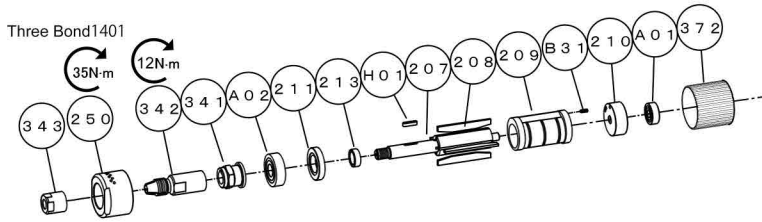
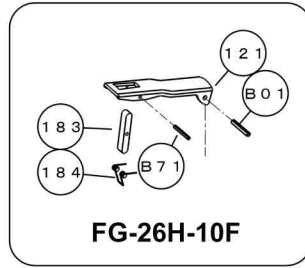
2-1-14, Kamiji, Higashinari-ku, Osaka, 537-0003 Japan

Tel : 81-6-6972-2335

Fax : 81-6-6972-2380

MODELS : FG-26H-10, -10F, -20, -20N

EXPLODED VIEW



FG-26H-10, -10F, -20, -20N

PARTS LIST

Index No.	Fuji No.	Parts No.	Parts Name	Qty
FG-26H-10				
—	G-227006-00	5412105899	Housing Ass'y <Rc>	1
—	G-227006-04	5412105909	Housing Ass'y <NPT>	1
113	G-144113-00	5412053936	Throttle Valve Rod	1
117	D-021117-00	5412051392	Throttle Valve Spring	1
119	D-021119-00	5412051393	Throttle Valve Cover Packing	1
120	D-021120-00	5412051394	Throttle Valve Cover	1
121	G-028121-00	5412053729	Throttle Valve Lever	1
171	IB-302S0	5412054484	Inlet Bushing <Rc>	1
	IB-302NS0	5412054483	Inlet Bushing <NPT>	1
201	G-227201-03	5412105894	Housing	1
(109)			Throttle Valve Bushing	1
B01	SP-320	5412056282	Spring Pin	1
J01	B-5/16U	5412050924	Urethane Ball	1
FG-26H-10F				
—	G-227006-02	5412105905	Housing Ass'y <Rc>	1
—	G-227006-05	5412105910	Housing Ass'y <NPT>	1
113	G-144113-00	5412053936	Throttle Valve Rod	1
117	D-021117-00	5412051392	Throttle Valve Spring	1
119	D-021119-00	5412051393	Throttle Valve Cover Packing	1
120	D-021120-00	5412051394	Throttle Valve Cover	1
171	IB-302S0	5412054484	Inlet Bushing <Rc>	1
	IB-302NS0	5412054483	Inlet Bushing <NPT>	1
201	G-227201-04	5412105895	Housing	1
(109)			Throttle Valve Bushing	1
B01	SP-320	5412056282	Spring Pin	1
J01	B-5/16U	5412050924	Urethane Ball	1
—	G-144019-01	5412053934	(F) Lock Lever Ass'y	1
121	G-144121-02	5412053937	Throttle Valve Lever	1
183	G-144183-02	5412053938	Lock Key	1
184	G-144184-00	5412053939	Lock Spring	1
B71	SP-218	5412056268	Spring Pin	1
FG-26H-20				
—	G-227001-00	5412105898	Housing Cover Ass'y <Rc>	1
—	G-227001-02	5412105907	Housing Cover Ass'y <NPT>	1
101	G-227101-00	5412105886	Housing Cover	1
106	G-005106-01	5412053687	Throttle Valve Handle	1
110	G-005110-00	5412053688	Throttle Valve	1
117	G-042117-00	5412053750	Throttle Valve Spring	1
120	G-005120-00	5412053689	Throttle Valve Cover <Rc>	1
	G-005120-01	5412053690	Throttle Valve Cover <NPT>	1
124	G-005124-00	5412053691	Knock Spring	1
B01	NR-316.8	5412055108	Needle Roller	1
J01	B-3	5412050915	Ball	1

Index No.	Fuji No.	Parts No.	Parts Name	Qty
FG-26H-20N				
—	G-227001-03	5412105908	Housing Cover Ass'y <Rc>	1
101	G-227101-01	5412105893	Housing Cover	1
106	A-124106-00	5412050665	Throttle Valve Handle	1
110	G-005110-00	5412053688	Throttle Valve	1
117	G-042117-00	5412053750	Throttle Valve Spring	1
120	G-005120-00	5412053689	Throttle Valve Cover <Rc>	1
124	A-124124-00	5412050667	Knock Spring	2
B01	NR-316.8	5412055108	Needle Roller	1
B02	NR-2.58	5412055085	Needle Roller	1
B03	NR-36.8	5412055123	Needle Roller	2
FG-26H-10, -10F, -20, -20N				
201	G-227201-01	5412105841	Housing (FG-26H-20, -20N)	1
207	G-227207-00	5412105835	Rotor	1
209	A-204209-00	5412104853	Cylinder	1
(B31)	SP-26	5412056272	Spring Pin	1
210	A-204210-00	5412104860	Cylinder Upper Plate	1
211	G-220211-00	5412060632	Cylinder Lower Plate	1
213	G-220213-00	5412060631	Adjusting Collar	1
250	G-227250-02	5412105891	Exhaust Cover <Side>	1
	G-227250-03	5412105892	Exhaust Cover <Front>	1
341	G-227341-00	5412105836	Chuck Collar	1
342	G-227342-00	5412105837	Collet <6mm>	1
	G-227342-01	5412105838	Collet <1/4">	1
343	G-144343-00	5412053957	Collet Nut	1
372	G-220372-02	5412103167	Plastic Cover	1
651	W-106651-00	5412056909	Hanger (FG-26H-10, -10F)	1
A01	BB-606ZZ	5412060642	Ball Bearing	1
A02	BB-600ZZ	5412050965	Ball Bearing	1
H01	K-32.512	5412054561	Key	1
—	NP-0740	5412060277	Warning Label	1
—	NP-0445	5412104436	CE Sticker (EC model only)	1
—	A-204090-00	5412105007	Blade Set	1
208	A-204208-00	5412104852	Rotor Blade	4

- The related parts are shown in a thick frame.
- #201(FG-26H-10, -10F) and #209 are supplied together with parts shown in ().
- Specify parts number and quantity when ordering.
- Spare parts without part number are not sold separately.

Standard Accessories

AC No.	Parts No.	Description	Qty
F-105	5412052056	14 mm Open-End Wrench	2